

## DS-2DF7286-AEL

### 2 MP Outdoor Network IR PTZ Dome Camera

- 1/2.8" Progressive Scan CMOS
- 30x Optical Zoom, 16x Digital Zoom
- Smart Tracking, EIS, Defog
- Up to 490 ft (150 m) IR Distance
- True Day/Night, DWDR, 3D DNR
- 3D Intelligent Positioning
- Triple Stream
- IP66, IK10
- 24 VAC / Hi-PoE (injector supplied), 60 W



Hikvision DS-2DF7286-AEL Network IR PTZ cameras produce 1920 x 1080 images and feature 490 ft (150 m) Smart IR to improve performance in challenging lighting conditions.

The embedded 1/2.8" progressive scan CMOS chip supports Digital WDR, and the 30x optical zoom Day/Night lens also allows for greater detail to be collected over more expansive areas.

The IR PTZ Dome Camera also features a wide range of smart functions, including intrusion detection, line crossing detection, and audio

exception, which allows for key events and objects to be recorded for further forensic needs.

These features also include smart tracking, which enables the camera to detect moving objects and follow them within the camera's area of coverage. Defog and HLC/BLC are also supported, and help improve image quality in challenging conditions.

**Available models:**  
DS-2DF7286-AEL



## DS-2DF7286-AEL

### Camera

Image Sensor	1/2.8" progressive scan CMOS
Effective Pixels	2230 K pixels
Minimum Illumination	Color : 0.3 lux (F1.6, 1/30 sec, 50 IRE, AGC On) B/W : 0.02 lux (F1.6, 1/30 s, 50 IRE, AGC On) 0 Lux with IR; Color: 0.02 Lux (F1.6, 1/1 s, 50 IRE, AGC On) B/W : 0.002 lux (F1.6, 1/1 sec, 50 IRE, AGC On)
White Balance	Auto / manual / ATW / indoor / outdoor / daylight lamp / sodium lamp
AGC	Auto / manual
S/N Ratio	≥ 55 dB
Digital Noise Reduction	3D DNR
Backlight Compensation	HLC/BLC
Wide Dynamic Range	Digital WDR
Shutter Speed	1 to 1/30,000 s
Day / Night	IR cut filter
Digital Zoom	16x
Privacy Masking	24 privacy masks programmable, optional multiple colors and mosaics
Focus Mode	Auto / semiautomatic / manual
EIS	Supported
Defog	Supported

### Lens

Focal Length	4.3 mm to 129.0 mm, 30x optical zoom
Zoom Speed	Approximately 3 s (optical wide to tele)
Angle of View	65.5° to 2.11° (wide to tele)
Minimum Working Distance	10 mm to 1,500 mm (wide to tele)
Aperture Range	f/1.6 to f/5.0

### Pan and Tilt

Smart Tracking	Supported
Pan/Tilt Range	Pan: 360° endless; tilt: -2° to 90° (auto flip)
Pan/Tilt Speed	Pan manual speed: 0.1° to 160°/s, pan preset speed: 240°/s; Tilt manual speed: 0.1° to 120°/s, tilt preset speed: 200°/s
Proportional Zoom	Rotation speed can be adjusted automatically according to zoom multiples
Number of Presets	300
Patrols	8 patrols, up to 32 presets per patrol
Patterns	4 patterns, with a recording time not less than 10 minutes per pattern
Power-Off Memory	Supported
Park Actions	Preset / patrol / pattern / pan scan / tilt scan / random scan / frame scan / panorama scan
PTZ Position Display	Supported
Preset Freezing	Supported
Scheduled Task	Preset / patrol / pattern / pan scan / tilt scan / random scan / frame scan / panorama scan / dome reboot / self-test action / alarm output

### Infrared

Smart IR	Supported
IR Distance	Up to 150 m
IR Intensity	Automatically adjusted, depending on the zoom ratio

### Alarm

Alarm Input	7 inputs
Alarm Output	2 relay outputs, alarm response actions configurable
Alarm Trigger	Motion detection, audio exception detection, dynamic analysis, tampering alarm, network disconnect, IP address conflict, storage exception
Alarm Action	Preset, patrol, pattern, SD/SDHC card recording, relay output, notification on client

### Local Video and Audio

Video Output	1.0 V[p-p]/75 Ω, NTSC (or PAL) composite, BNC
Audio Input	1 mic in/line in interface. Line input: 2 to 2.4 V[p-p]; output impedance: 1KΩ, ±10%
Audio Output	1 audio output interface. Line level, impedance: 600 Ω

### Network



Ethernet	10 Base-T / 100 Base-TX, RJ-45 connector
Maximum Image Resolution	1920 × 1080
Frame Rate	50 Hz: 25 fps (1920 × 1080), 25 fps (1280 × 960), 25 fps (1280 × 720); 60 Hz: 30 fps (1920 × 1080), 30 fps (1280 × 960), 30 fps (1280 × 720)
Image Compression	H.264 / MJPEG / MPEG4, H.264 encoding with Baseline / Main / High profiles
SVC	Supported
ROI Encoding	Supported
Audio Compression	G.711u / G.711a / G.726 / MP2L2
Protocols	IPv4 / IPv6, HTTP, HTTPS, 802.1x, Qos, FTP, SMTP, UPnP, SNMP, DNS, DDNS, NTP, RTSP, RTP, TCP, UDP, IGMP, ICMP, DHCP, PPPoE
Simultaneous Live View	Up to 20
Streams	Triple streams
SD Memory Card	Built-in SD/SDHC slot, up to 64 GB, supports manual / alarm / edge recording
User/Host Level	Up to 32 users, 3 levels: administrator, operator, and user
Security Measures	User authentication (ID and PW); host authentication (MAC address); IP address filtering

### Integration

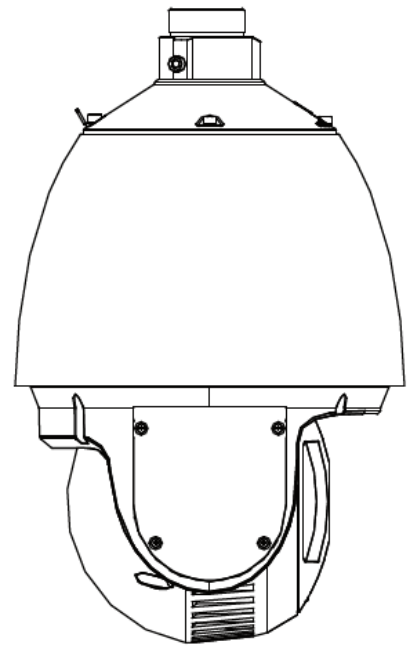
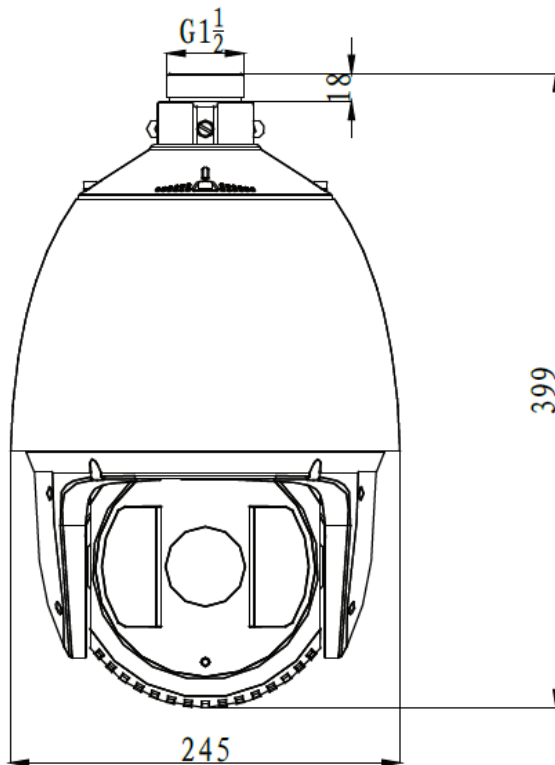
Application Programming	Open-ended API, supports ONVIF, PSIA, CGI, and Genetec
Web Browser	IE 7+, Chrome 18+, Firefox 5.0+, Safari 5.02+, multi-language support

### General

RS-485 Protocols	HIKVISION, Pelco-P, Pelco-D, self-adaptive
Power	24 VAC, maximum 60 W / High-PoE, maximum 50 W
Working Temperature	24 VAC: -40° F to 149° F (-40° C to 65° C) / High-PoE: -22° F to 149° F (-30° C to 65° C)
Humidity	90% or less
Protection Level	IP66, TVS 4,000V lightning protection, surge protection, and voltage transient protection
Dimensions	Φ 9.65" × 15.71" (Φ 245 mm × 399 mm)
Weight	13.22 lbs (6 kg)

									
<b>WMP-L</b> Long Wall Mount	<b>CMP</b> Large Corner Mount for WMP-S/L	<b>PMP</b> Pole Mount for WMP-S/L	<b>JBPW-L</b> Power Box Mount w/Wall Bracket	<b>PMPL</b> Large Pole Mount for JBPW-L	<b>CMPL</b> Large Corner Mount for JBPW-L	<b>CPM-S</b> Short Ceiling Pendant Mount	<b>CPM-L</b> Long Ceiling Pendant Mount	<b>CPMPE</b> Ceiling Pendant Mount Extension Pipe	<b>RPM</b> Roof Parapet Mount

# Dimensions



Unit:mm